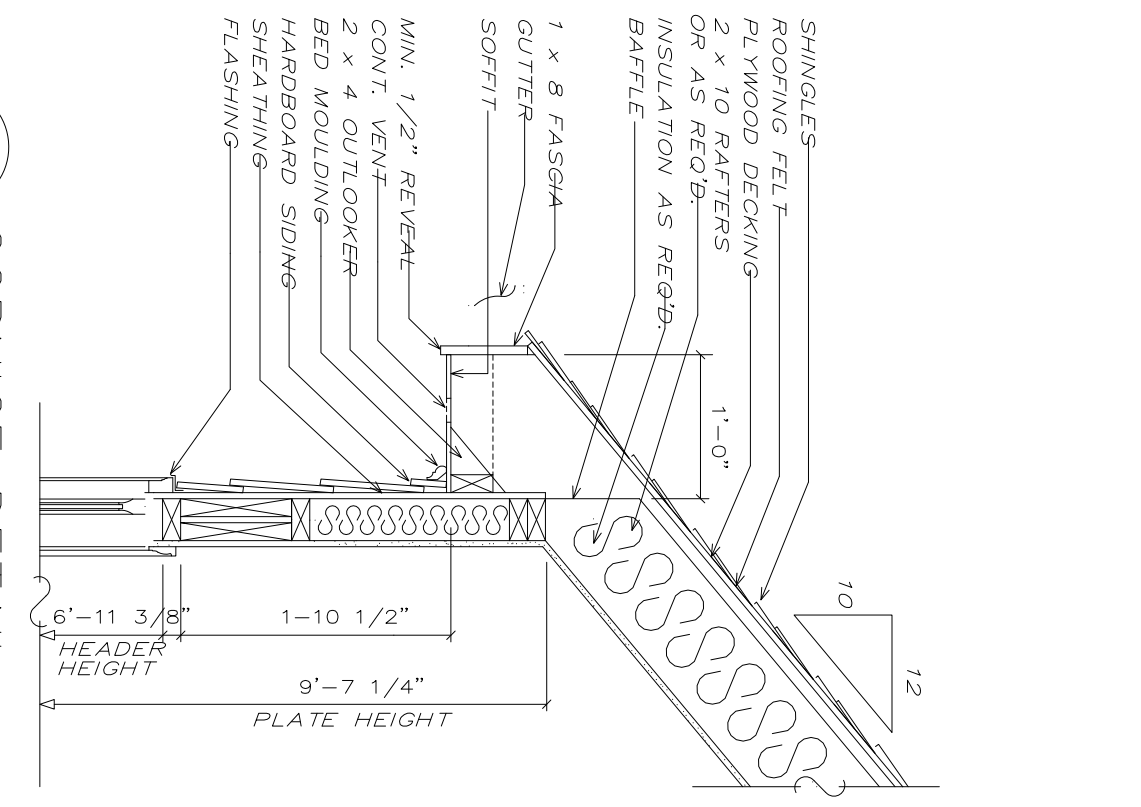
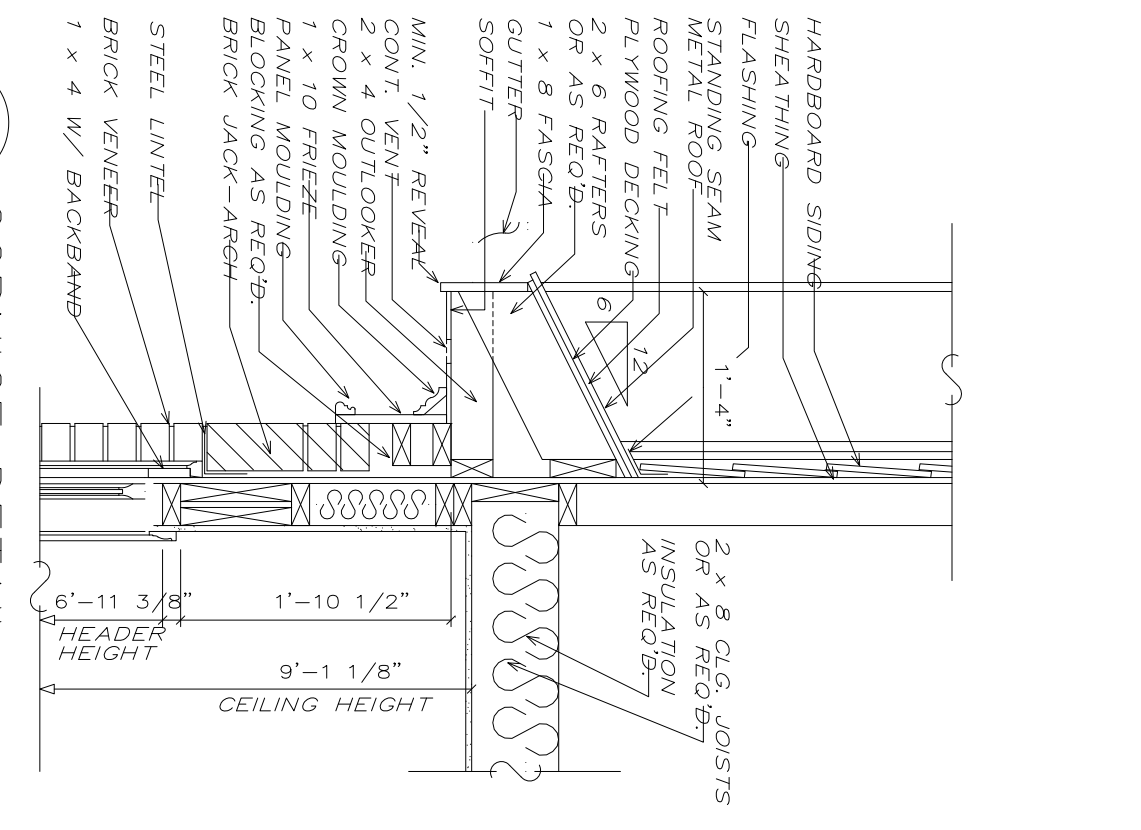


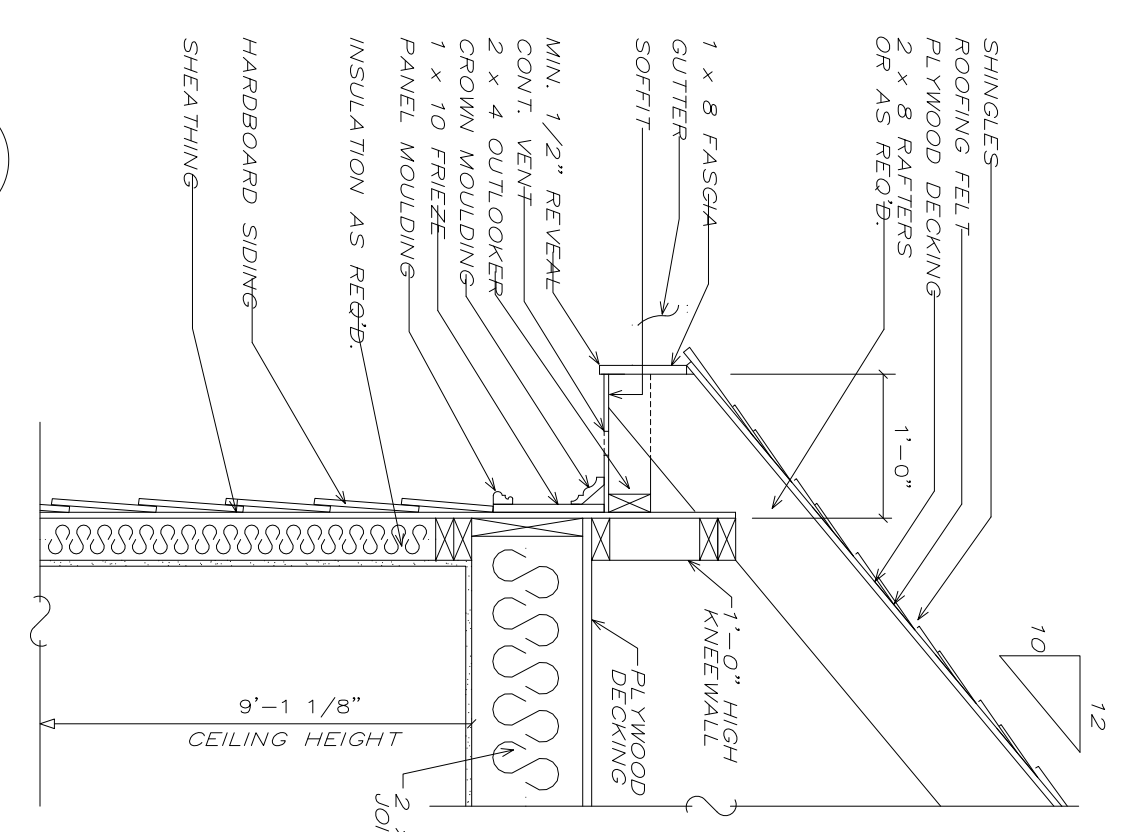
1 TYP. CORNICE DETAIL  
1 3/4" = 1'-0"



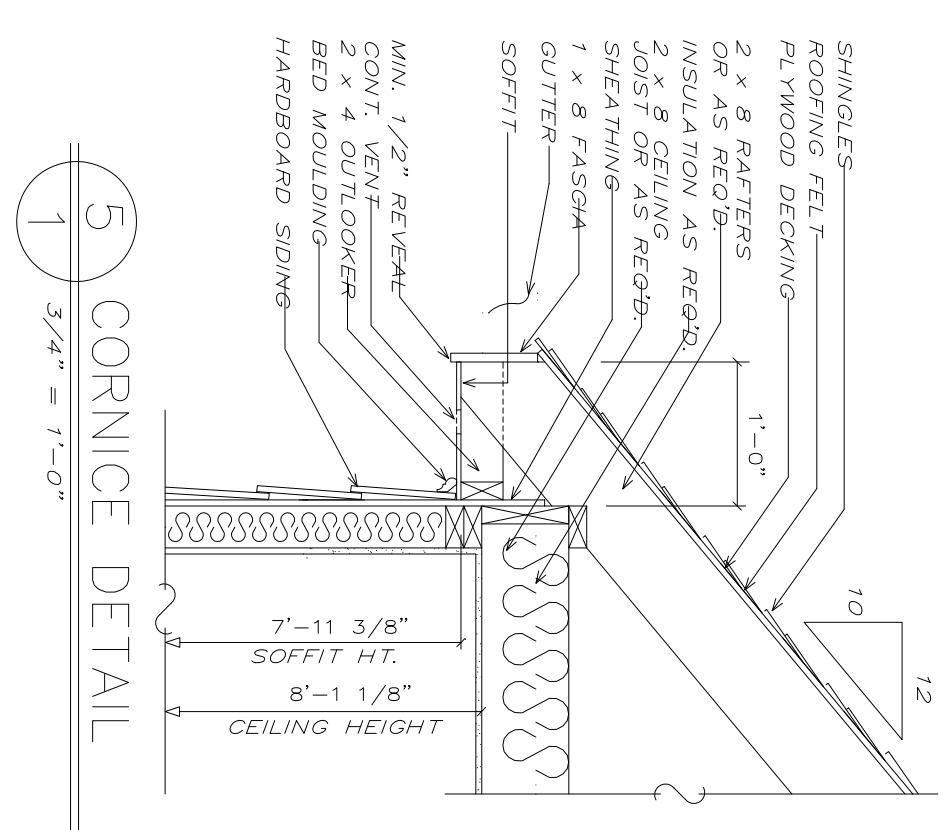
2 CORNICE DETAIL  
1 3/4" = 1'-0"



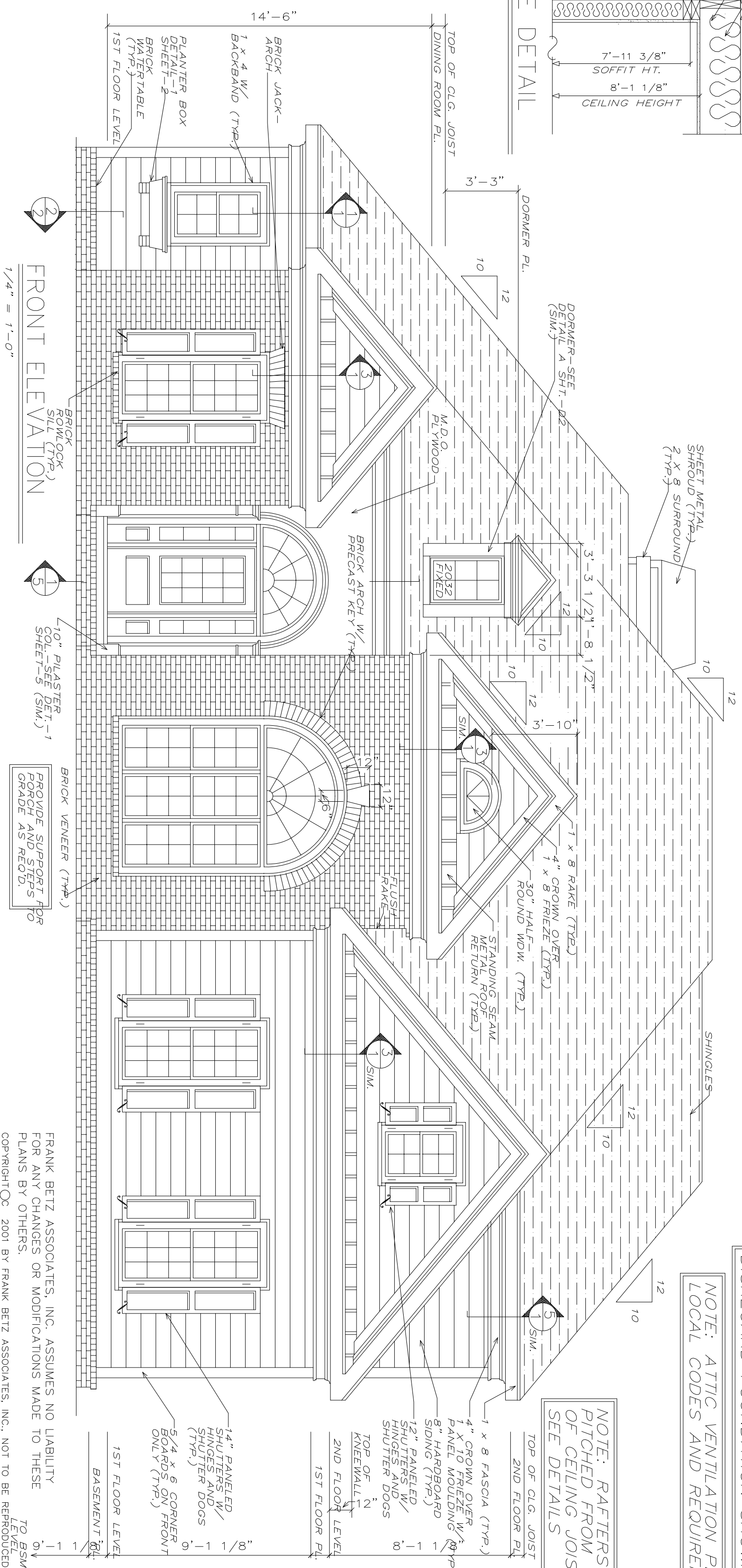
3 CORNICE DETAIL  
1 3/4" = 1'-0"



4 CORNICE DETAIL  
1 3/4" = 1'-0"



5 CORNICE DETAIL  
1 3/4" = 1'-0"



FRONT ELEVATION  
1/4" = 1'-0"

NOTE: ELEVATIONS REFLECT A BASEMENT FOUNDATION. IF ANOTHER FOUNDATION IS USED, BUILDER SHOULD DISREGARD FOUNDATION SHOWN

NOTE: ATTIC VENTILATION PER LOCAL CODES AND REQUIREMENTS

NOTE: RAFTERS ARE PITCHED FROM TOP OF CEILING JOISTS SEE DETAILS

FRANK BETZ ASSOCIATES, INC. ASSUMES NO LIABILITY FOR ANY CHANGES OR MODIFICATIONS MADE TO THESE PLANS BY OTHERS.  
TO BSMT. FLR.  
COPYRIGHT © 2001 BY FRANK BETZ ASSOCIATES, INC. NOT TO BE REPRODUCED

SHEET 6 OF 6

DATE: 8-16-2001  
BY: JAG & KKW

**FBA**  
FRANK BETZ ASSOCIATES, INC.  
2401 LAKE PARK DRIVE/SUITE 250  
SMYRNA, GEORGIA 30080  
770/431-0888  
www.frankbetz.com

FRONT ELEVATION/DETAILS  
THE WALLACE

**HOMEPLANS**  
DESIGNED FOR TODAY'S MARKET

DATE	REV	DATE	REV

Copyright Frank Betz Associates, Inc. All Rights Reserved. The Duplication, Reproduction, Copying, Sale, Rental, Licensing, or any other distribution or use of these drawings, any portion thereof, or the plans depicted hereon is Strictly Prohibited unless expressly authorized in writing by FBA, Inc.